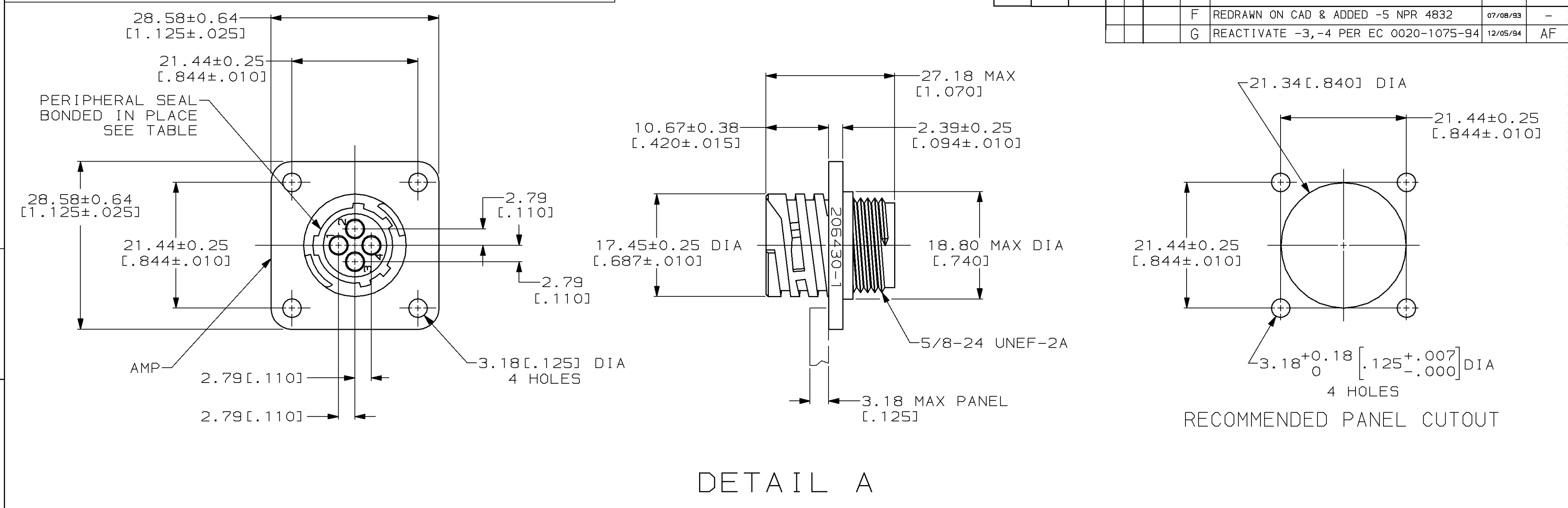
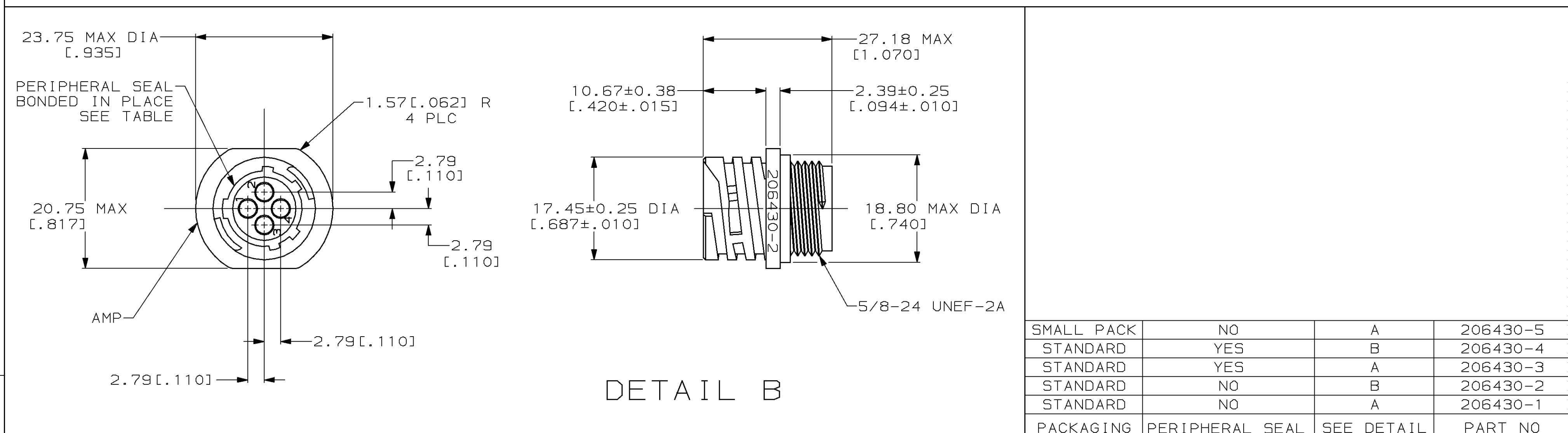


MOD		LOC	DIST	REVISIONS			
P	F	ZONE	LTR	DESCRIPTION	DATE	APPD	
4		BD	35	F	REDRAWN ON CAD & ADDED -5 NPR 4832	07/08/93	-
				G	REACTIVATE -3,-4 PER EC 0020-1075-94	12/05/94	AF



DETAIL A



DETAIL B

SMALL PACK	NO	A	206430-5
STANDARD	YES	B	206430-4
STANDARD	YES	A	206430-3
STANDARD	NO	B	206430-2
STANDARD	NO	A	206430-1
PACKAGING	PERIPHERAL SEAL	SEE DETAIL	PART NO

1. CAVITY IDENTIFICATION ON FRONT AND REAR FACE. 2. WILL ACCEPT FOUR (4) MULTIMATE SOCKET CONTACTS.	DO NOT SCALE PRINT. UNLESS SPECIFIED DIMENSIONS IN mm [INCHES] TOLERANCES ON:	DR 09/09/92 W.LENKER	AMP AMP Incorporated Harrisburg, PA 17105-3608	
	MATERIAL	FINISH		
	NYLON, BLACK	-	APPD 08/13/93 A.FRANTUM	NAME
			APPD 08/13/93 A.FRANTUM	RECEPTACLE HOUSING, REVERSE SEX, SHELL SIZE 11, CPC
			PRODUCT SPEC 108-10024	SIZE
			APPLICATION SPEC -	CAGE CODE
			WEIGHT -	00779
				DRAWING NO
				G=206430
				SCALE
				2:1
				SHEET
				1 OF 1

THIS DRAWING IS A CONTROLLED DOCUMENT FOR AMP INCORPORATED. IT IS SUBJECT TO CHANGE AND THE CONTROLLING ENGINEERING ORGANIZATION SHOULD BE CONTACTED FOR THE LATEST REVISION.